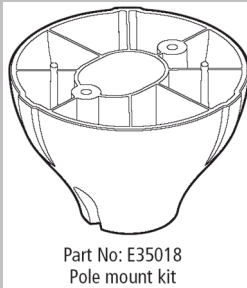
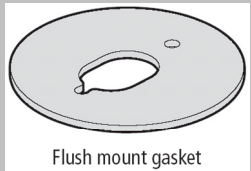


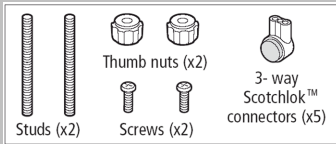
Part No: R38103
Raystar RS125 GPS Receiver



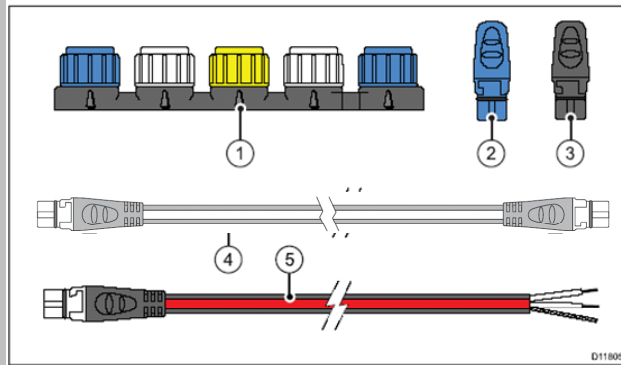
Part No: E35018
Pole mount kit



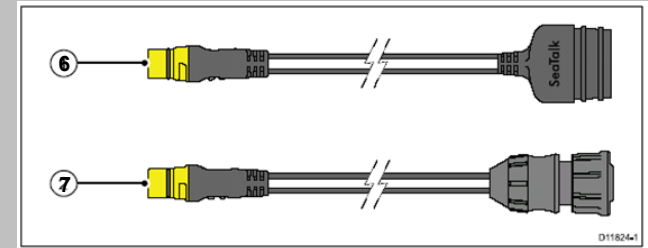
Flush mount gasket



E32119 – New Raystar 125 Plus

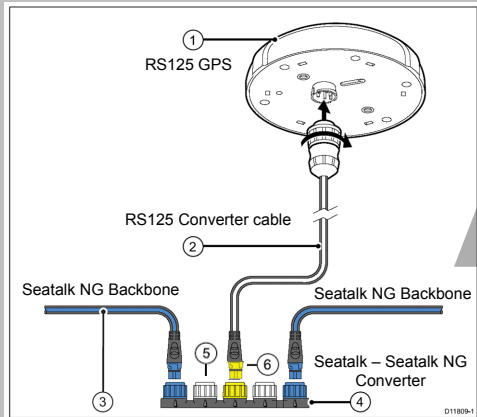


- Parts Supplied -



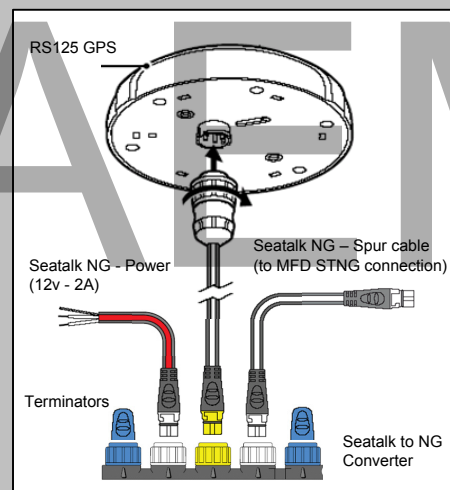
- (1) – Seataalk to Seataalk NG Converter
- (2) – Seataalk NG Terminator (2)
- (3) – Seataalk NG Blanking Plug (2)
- (4) – Seataalk NG Spur cable
- (5) – Seataalk NG Power cable
- (6) – Seataalk to Seataalk NG Converter cable
- (7) – Raystar125 Seataalk NG Converter cable (10m)

1 - Connecting to Seataalk NG



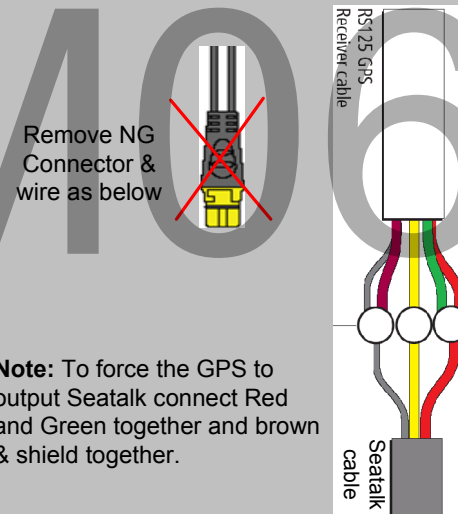
The RS125+ GPS is now supplied with a 10m cable with Seataalk NG connector & Converter. To connect into an NG system simply connect cable (2) directly to the Converter (4) Yellow Seataalk port (6) which bridges GPS Seataalk data to Seataalk NG. The Converter connects inline as part of the Seataalk NG Backbone (3). The two NG Spurs (5) can be used to connect to any further Seataalk NG devices. **Note:** No other Seataalk devices must be connected to the Seataalk port (6).

2 - Connecting to MFD on NG



To connect a RS125 GPS to an MFD in a standalone or Seataalk system the converter & cables supplied can be used to connect directly to the Seataalk NG connection on the MFD. Wire as above using the NG Spur cable to connect from the converter to the MFD & the NG Power cable to feed 12 volts via a 2A fuse. Alternatively connect GPS to Seataalk as – 3

3 - Connecting to a Seataalk bus

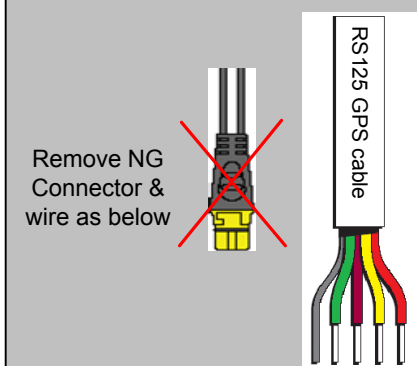


Note: To force the GPS to output Seataalk connect Red and Green together and brown & shield together.

Seataalk Connections

- Red (12 V /+)
- Yellow (SeaTalk input/output / +)
- Brown (RTCM in / +)
- Green (connect with Red 12V wire/ +)
- Shield (0 V/ground / -)

4 - Connecting to NMEA



RS125 GPS NMEA Connections

- Red (12 - 32 V /+)
- Yellow (NMEA out /+)
- Brown (RTCM in /+)
- Green (NMEA in /+)
- Shield (0V/ ground / -)

Note: If the Brown (RTCM) and Green (NMEA in/+) wires are not used tie both to the shield / 0V wire